

## ~ "WP" SERIES FIBERGLASS COOLING TOWERS ~

NEW SLIP FIT DESIGN ~ GASKET FREE ~ CORROSION PROOF ~ CONSERVES WATER

"WP" Series cooling towers offer corrosion resistance, energy efficiency and performance. The 3-section design slip inside one another eliminating the need for gaskets, which could leak. The sections are bolted together with stainless steel bolts for ease of assembly and disassembly for future replacement of fill material and service on the tower.

If your cooling water temperature requirements range from 85° F upward, you may reduce your process water consumption up to 98.5% with a Whaley Tower. PVC mist eliminators are installed on the discharge side of the tower trapping water from being discharged but air is allowed to escape. The only water loss is from evaporation during the cooling process.

The right combination of heat transfer media, water distribution, and airflow gives the Whaley Fiberglass Tower full rated performance.

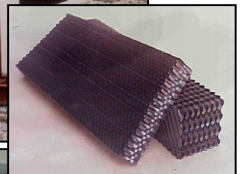
In operation, water entering the tower is uniformly sprayed over the large surface area of the tower wet decking. The fan induces airflow in the opposite direction of the water. The combination airflow, large surface area evaporates a small percentage of water, which provides heat removal/cooling. The Whaley Tower offers low maintenance construction, long life and maximum cooling performance.

### FEATURES:

- ~ Non-corrosive shell extends tower life
- ~ Factory assembly and can be mounted on a c-channel platform, cuts installation and rigging expenses
- ~ Towers are securely anchored to a steel platform which includes standard fork lifting slots or lifting eyes for ease of installation
- ~ Slip fitted bolted sections eliminate need for gaskets
- ~ TEFC energy efficient motors save up to 25% in operating costs
- ~ Non-clog ABS nozzle(s) assure positive spray across fill unlike the rotating spray arm in other towers. No moving parts to freeze up.
- ~ Factory-tuned and balanced fan blade pitch insures full capacity and avoids troublesome field adjustments.
- ~ Fiberglass reinforced PVC axial fans are lightweight, efficient, and costs less to operate.
- ~ 5 year Limited Warranty on shell.
- ~ One year warranty on fan motor and other major parts.

### OPTIONS:

- ~ Starter package includes fusible panel, digital readout fan temperature control, 120volts control, H-O-A fan control, indicator lights and indoor/outdoor installation
- ~ Optional float valve enabling installation without a separate reservoir.
- ~ Basin heaters
- ~ Butterfly balancing valve and pressure gauge
- ~ Bottom outlet allows drain to tower basin into remote pump/tank



P. O. Box 817, Burkburnett, TX 76354  
Phone: 800-699-6652, 940-569-4116, Fax: 940-569-4247  
E-mail: [glenn@whaleyproducts.com](mailto:glenn@whaleyproducts.com), Web: [www.whaleyproducts.com](http://www.whaleyproducts.com),  
[www.waterchillingproducts.com](http://www.waterchillingproducts.com)

# WPI TOWER DATA SHEET

## SPECIFICATIONS

### MATERIALS OF CONSTRUCTION

SHELL - Fiberglass Reinforced Polyester  
 FAN & BLADE - Polyamid Reinforced with Fiberglass  
 Schedule 80 PVC  
 FAN MOTOR SUPPORT RING - Galvanized , Mild Steel  
 Steel

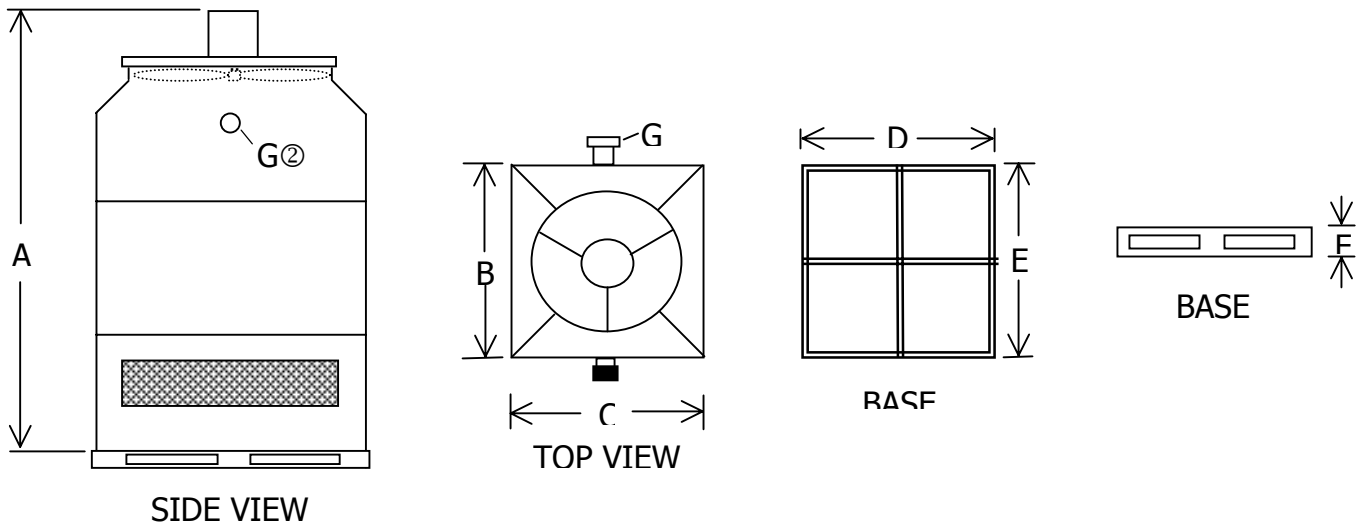
NOZZLE ASSEMBLY - ABS  
 PIPING ASSEMBLY -  
 FASTENERS - Stainless

MODEL NUMBER	NUMBER OF NOZZLES	COOLING AP TONS	FAN MOTOR		NOMINAL AIR FLOW CFM	DIMENSIONS (INCHES)						
			HP	RPM		A	B	C	D	E	F	G
WP650-10	1 (A)	10	1/2	1800	3000	78	25	25	36	36	4	1.5
WP650-15	1 (B)	15	1/2	1800	3250	78	25	25	36	36	4	1.5
WP850-20	1 (C)	20	3/4	1800	6000	84	32	32	48	48	4	2.0
WP850-25	1 (C)	25	1	1800	6500	84	32	32	48	48	4	2.0
WP1250-30	1 (C)	30	2	1200	11,300	102	50	50	60	60	4	2.0
WP1250-40	1 (D)	40	2	1200	12,000	102	50	50	60	60	4	2.0
WP1550-50	4 (B)	50-60	3	1200	15,000	113	60	60	72	72	4	3.0
WP1550-75	4 (B)	75-85	3	1200	17,500	113	60	60	72	72	4	3.0
WP1850-100	4 (C)	100	5	1200	20,500	122	71	71	84	84	4	4.0
WP1850-125	4 (D)	125	5	1200	22,700	122	71	71	84	84	4	4.0
WP2700-150	8 (B)	150	10	900	42,000	169	136	87	90	144	6	(2) 3.0
WP2700-175	8 (C)	175	10	900	48,000	169	136	87	90	144	6	(2) 3.0
WP2700-200	8 (C)	200	15	900	50,000	169	136	87	90	144	6	(2) 4.0
WP2700-250	8 (D)	250	15	900	60,000	169	136	87	90	144	6	(2) 4.0
WP2700-300	8 (D)	300	20	900	70,000	171	136	87	90	144	6	(2) 4.0

### RATING CONDITIONS:

78° F WET BULB WATER TEMPERATURE, 95°F ENTERING, 85° F LEAVING.

FLOW: 3GPM/TON



② INLET PVC FLANGE CONNECTION, CONSULT FACTORY FOR OUTLET RECOMMENDATIONS

ALL DATA IS SUBJECT TO CHANGE WITHOUT NOTICE

P. O. Box 817, Burkburnett, TX 76354  
 Phone: 800-699-6652, 940-569-4116, Fax: 940-569-4247  
 E-mail: glenn@whaleyproducts.com, Web: [www.whaleyproducts.com](http://www.whaleyproducts.com),  
[www.waterchillingproducts.com](http://www.waterchillingproducts.com)